



Bus Power Supply, 48V Installation Guide

Supported Model

- C4-BPS48 Bus Power Supply, 48V

Introduction

The Control4® Bus Power Supply, 48V is intended for use in a Control4 system and installs in a Control4 Panelized Lighting panel. The Bus Power Supply provides the power to the Bus Ethernet Gateway and Control4 Configurable Wired Keypads.

Box Contents

- Bus Power Supply
- Bus Power Supply Mounting Bracket
- Warranty Card
- One (1) Ferrite Clamp
- Two (2) Mounting Screws
- *Bus Power Supply, 48V Installation Guide* (this document)

Specifications

Model Number	C4-BPS48
Power Input	100-240VAC, 50/60Hz
Power Output	48VDC
Power Consumption	100-240VAC at 1.8A 48VDC at 1.8A (or 86.4W)
Connectors	One (1) Line Voltage Screw Terminal one (1) Line, one (1) Neutral, one (1) Earth Ground One (1) low-voltage screw terminal; two (2) 0V, two (2) 48V
Environmental	
Operational Temperature	32°F to 104°F (0°C to 40°C)
Humidity	5% - 95% Non-condensing
Storage	-4° F - 158° F (-20° C - 70° C)
Dimensions and Weight	
H x W x D	5.5" x 9.75" x 7.75" (139.7mm x 247.65mm x 196.85mm)
Weight	2.3 lbs. (1.04 kg)
Shipping Weight	2.85 lbs. (1.28 kg)

Warnings and Considerations



WARNING! The Bus Power Supply should be installed by a licensed electrician in accordance with all national and local electrical codes.
ATTENTION! Le bus d'alimentation doit être installé par un électricien certifié conformément à tous les codes électriques nationaux et locaux.



WARNING! Improper use or installation can cause SERIOUS INJURY, DEATH or LOSS/DAMAGE OF PROPERTY.
ATTENTION! Une mauvaise utilisation ou installation peut entraîner des blessures graves, décès ou perte / dommages à la propriété.



WARNING! This device must be protected by a circuit breaker (20A max).
ATTENTION! Cet appareil doit être protégé par un disjoncteur (20A max.)



IMPORTANT! Use this device only with copper or copper-clad wire. Do not use aluminum wiring. This product has not been approved for use with aluminum wiring.



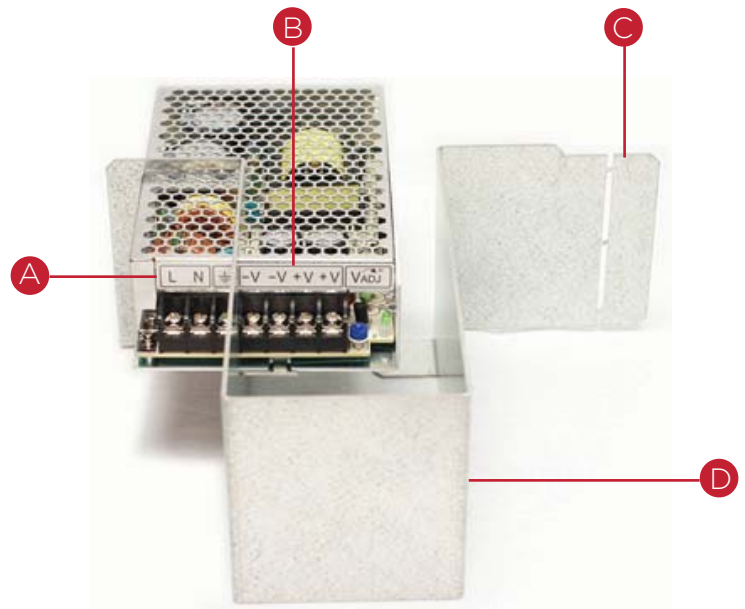
IMPORTANT! Using this product in a manner other than outlined in this document voids your warranty. Further, Control4 is NOT liable for any damage incurred with the misuse of this product. See "Troubleshooting."



IMPORTANT! This is an electronic device with intricate components. Handle and install with care!

Front View

Figure 1. Front View



- A Line Voltage Connector
- B Low Voltage Connector
- C Bendable Tab
- D Mounting Bracket

Pre-Installation Instructions

Before You Install in a Control4 Panel

- 1 Use Composer Pro to add the Bus Power Supply to a project, define its location in a panel, and print the panel report. See the *Composer Pro User Guide* for details.
- 2 Install the panel following the instructions in the *5-Slot and 2-Slot Panel Installation Guide*.
- 3 Install and wire the Terminal Block for the Bus Power Supply following the instructions in the *Terminal Block Installation Guide* and in the location defined by the Composer Pro panel reports.

Installation Instructions

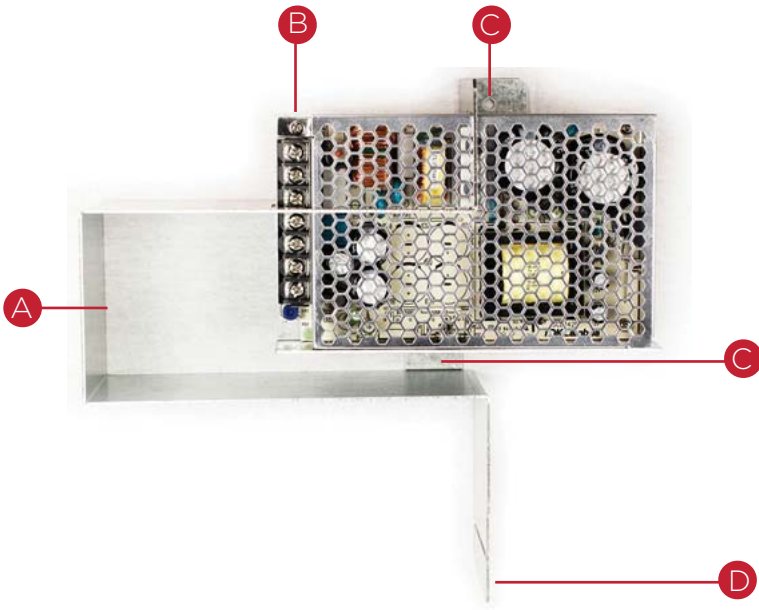
Install in a Control4 Panel

- 1 The Mounting Bracket fits both 2-Slot and 5-Slot Panels. If you are mounting into a 2-Slot Panel, gently bend the tab 90 degrees to the left or right (see Figure 1).

IMPORTANT! To prevent sharp edges and cut fingers, use caution when bending the tab and avoid breaking it.

- 2 Orient the Bus Power Supply bracket with the mounting holes facing down (see Figure 2).

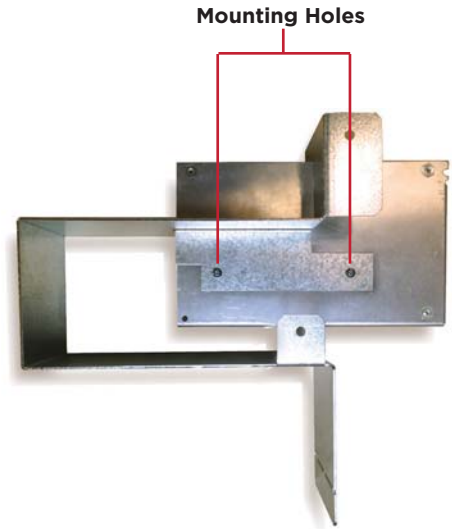
Figure 2. Bus Power Supply Mounting Bracket



- A Mounting Bracket
- B Terminal Screws
- C Mounting Holes
- D Bendable Tab

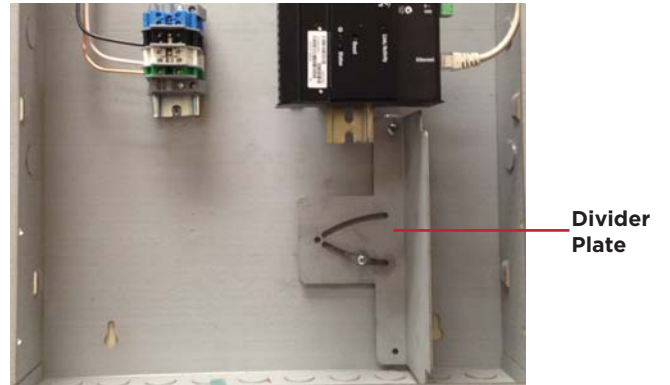
- 3 Insert the Bus Power Supply into the bracket with the screw terminals facing toward you on the left-hand side (see Figure 2).
- 4 Rotate the bracket and Bus Power Supply 180 degrees, align the power supply mounting holes, and attach the Bus Power Supply to the bracket using the screws provided (see Figure 3).

Figure 3. Mounting Holes



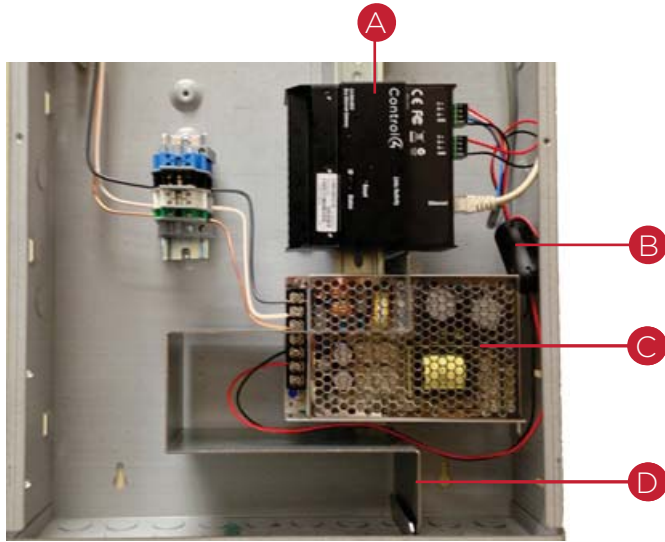
- 5 Use a screwdriver to remove the screws and the Class 1/2 Swivel Divider plate at the bottom of the panel (see Figure 4). You'll be installing the Bus Power Supply and bracket there.

Figure 4. Divider Plate



- 6 Mount the Bus Power Supply and bracket using the same screws that were used to mount the divider plate (see Figure 5).

Figure 5. Installed Bus Power Supply and Bracket



- A Bus Ethernet Gateway
- B Ferrite Clamp
- C Bus Power Supply
- D Mounting Bracket

Installing the Ferrite Clamp

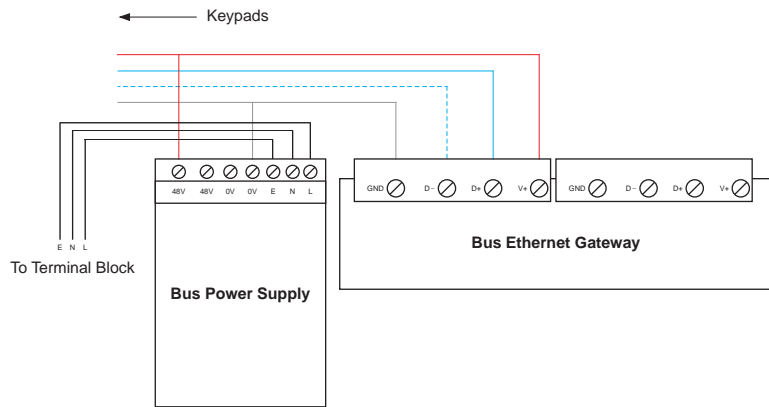
- 1 Pick up the ferrite clamp and open it (you may need to use a small screwdriver to open it).
- 2 Place the power cable in the clamp, and then thread the cable through the clamp, around the clamp, and back through the clamp again (see Figure 6).
- 3 Close the clamp until it snaps shut.

Figure 6. Ferrite Clamp Installation



Wiring Diagram

Figure 7. Bus Power Supply Wiring Diagram



Troubleshooting

Symptom	Possible Solution
Power supply does not power on.	Make sure the module is connected securely to the Mains power supply.

Additional Information

To view a video about how to install the Bus Power Supply, Bus Ethernet Gateway and wired keypads, refer to *Panelized Lighting, Part 4: Wiring Bus Devices & Keypads* on the Control4 University or Panelized Lighting products page at www.control4.com.

For complete bus wiring scenarios, see the *Keypad Bus Wiring Guide* at www.control4.com.

Regulatory/Safety Compliance

To review regulatory information for your particular Control4 products, see the information located on the Control4 website at: <http://www.control4.com/regulatory/>.

Warranty

For complete warranty information, including details on consumer legal rights as well as warranty exclusions, review the Warranty card or visit www.control4.com/warranty.

About this Document

Part Number: 200-00362, Rev. A 8/01/2013 BN

